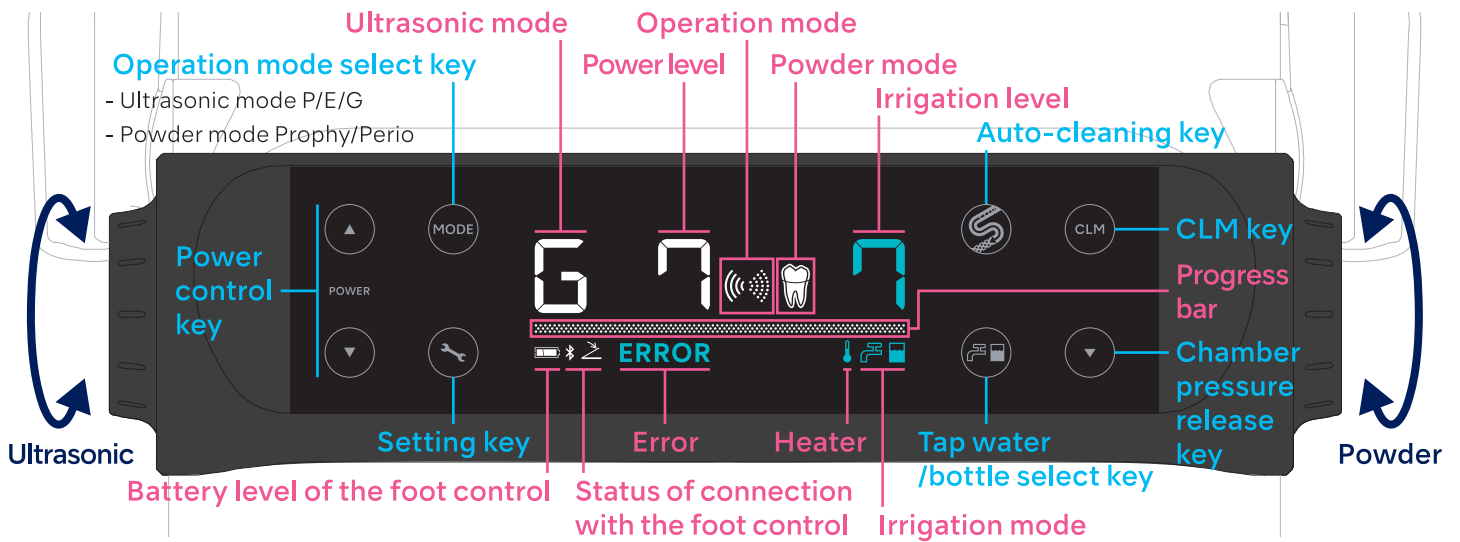
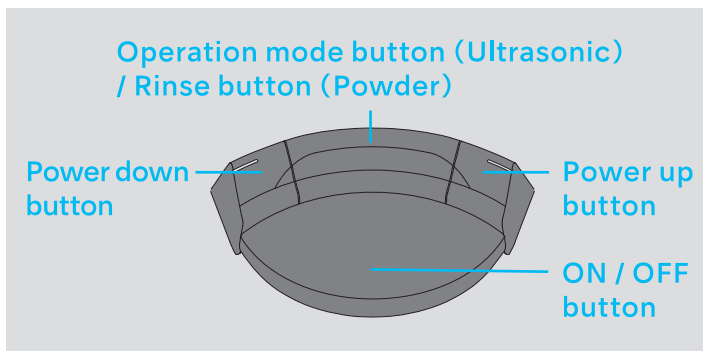


## Control panel

## Setting irrigation

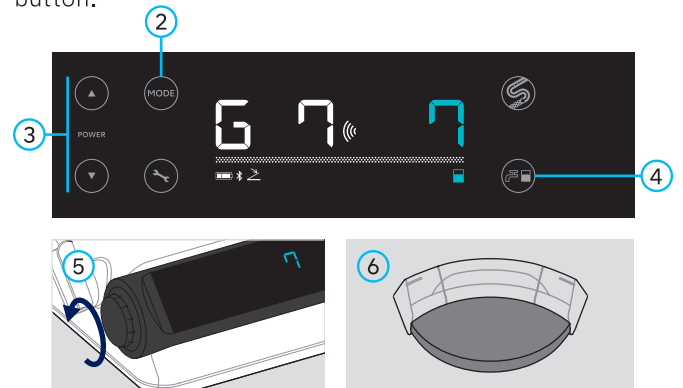


## Foot control



## Using ultrasonic mode

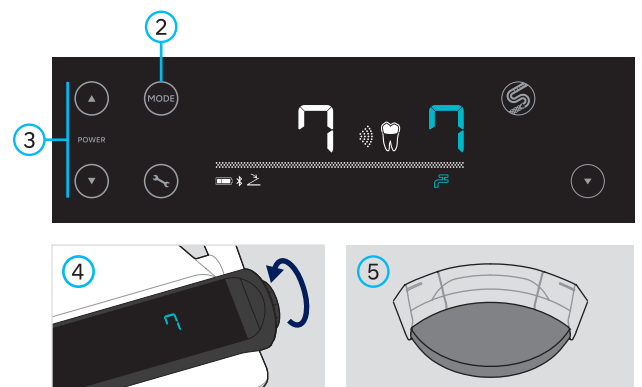
- ① Hold the ultrasonic handpiece.
- ② Select the ultrasonic mode (P/E/G).
- ③ Set the power level.
- ④ Select the irrigation method.
- ⑤ Adjust the irrigation level.
- ⑥ Depress the ON / OFF button.



## Using powder mode

Mode	Chamber	Handpiece	Nozzle	Use	Powder

- ① Hold the powder handpiece.
- ② Select the powder mode (Prophy / Perio ).
- ③ Set the power level.
- ④ Adjust the irrigation level.
- ⑤ Depress the ON / OFF button.



# Auto-cleaning

Auto-cleaning mode to be activated	Frequency of performing auto-cleaning modes	Actual Use of Varios Combi Pro2		
		Ultrasonic & Powder	Powder only	Ultrasonic only
Auto-cleaning mode to be activated	After each treatment	W(powder)	W(powder)	—
	Once per day (after final treatment)	D	P	W (ultrasonic)

- W** (Ultrasonic): Removal of water
- W** (Powder): Removal of water and purging powder
- P**: Removal of water from handpiece hose  
Removal of powder from powder circuit  
Releasing chamber pressure
- D**: Removal of water from handpiece cord/hose  
Removal of powder from powder circuit  
Releasing chamber pressure



Set the irrigation level to 10.

Touch for 3 seconds, until "AC" is shown.

Select "W".

Insert the handpiece with cord or hose into the CLM holder.  
Touch .

After "Fin" is shown, touch .

Dispose of powder and attach the chamber.

Select "D" or "P".

Insert the handpieces with cord/hose into the CLM holder. Touch .

After "Fin" is shown, touch .

# Decontamination / prevention of biofilm formation (CLM mode)

Fill the CLM bottle with b.clean (undiluted).

Insert the CLM bottle.

Remove the handpiece cord/hose from each handpiece and insert them into the CLM holder.

Touch for 3 seconds, until the above display is shown.

Touch for 3 seconds, until CLM mode starts.

After the above display is shown, turn off the power and wait for 12 hours or more.

Turn on the power. Remove the CLM Bottle.

Fill the disinfected irrigation bottle with drinking water.

Insert the irrigation bottle.

Touch for 3 seconds, until draining starts.

CLM mode is complete when the above display is shown. Touch to go to the normal display.